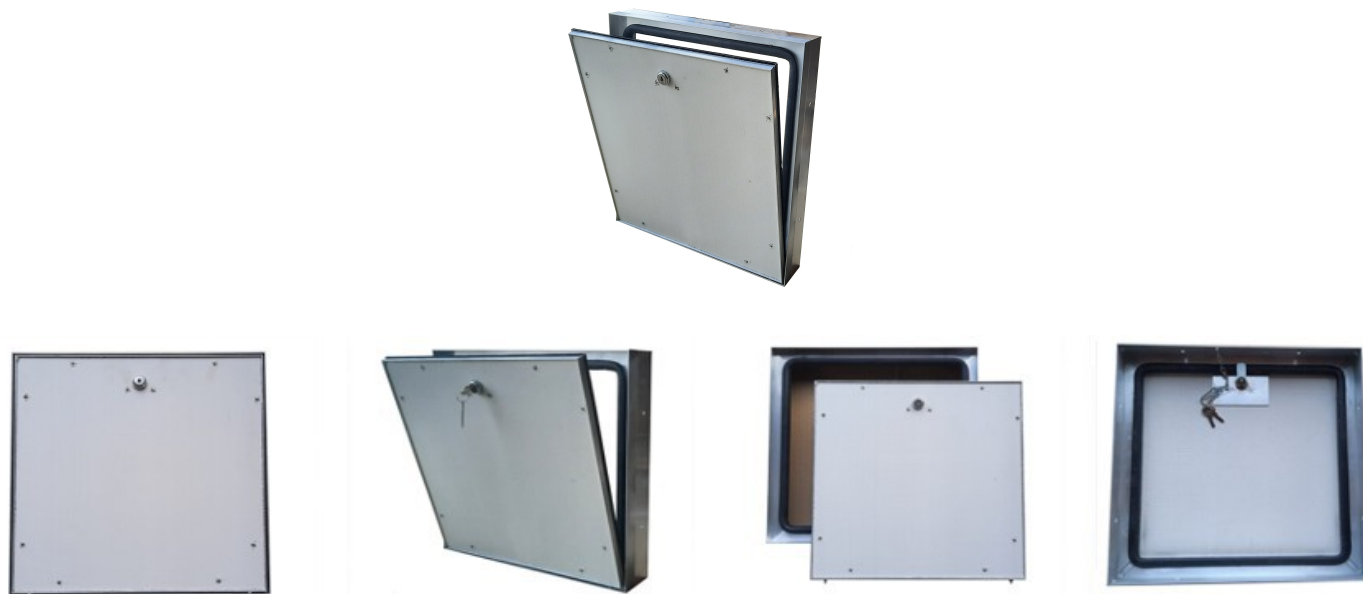


# Access panel for facade "watertight"



## Access panel for facade System MPWD – for plastering

- ◆ The access panel consists of aluminium profiles with a cement board indoor
- ◆ Insert fixing on solid facades or on insulation using mounting foam
- ◆ Seals against driving rain, frost and heat resistant
- ◆ A round cylinder lock with key
- ◆ can be placed in showers and near swimming-pools
- ◆ Can be tiled

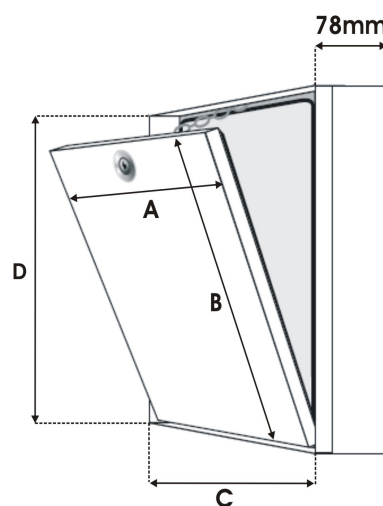
### ◆ Lock:

- Round cylinder lock with key (Standard)

### For extra charge:

- Screwdriver operated cam latch
- Profile cylinder lock with metal collar

Article number	Nominal dimensions A x B	Installation-size C x D	Opening-size
MP200200-WD	200 x 200 mm	206 x 206 mm	140 x 140 mm
MP300300-WD	300 x 300 mm	306 x 306 mm	240 x 240 mm
MP400400-WD	400 x 400 mm	406 x 406 mm	340 x 340 mm
MP500500-WD	500 x 500 mm	506 x 506 mm	440 x 440 mm
MP600600-WD	600 x 600 mm	606 x 606 mm	540 x 540 mm



A x B = Nominal dimensions

C x D = Installations-size

